

Especificaciones 4F Pedal

SERIE	4F210-08	4F210-08-L	4F210-08-G	4F210-08-LG
FLUIDO	Aire Comprimido (filtrado a 40 micras)			
ACCIONAMIENTO	Accionada Mecanicamente			
TIPO DE VALVULA	5 vias 2 posiciones			
PRESION DE OPERACION	0 a 114 psi (0.15 a .8 Mpa)			
CONEXION	All 1/4"			
Minima presion de trabajo	21 psi (1.44 bar)			
Temperatura	-20 a 70 °C			
Tiempo de Activacion	.05 seg. (y por debajo)			
Maxima frecuencia	5 ciclos/seg			
Tipo de Valvula	Regresada por resorte	Enclavada	Regresada por resorte con guarda	Enclavada con guarda
Empaques	Buna			
Lubricacion	Se recomienda aceite ISO VG32			
MATERIAL	Aleacion de Aluminio			



4F210 - 08

型号 Type

4F 二位五通脚踏阀 Two-position five-way foot valve

接口尺寸 Connection

08 G1/4

型式代号

标准型 Standard

L 附锁型 With lock

G 附护罩型 With guard

LG 附锁及护罩型 With lock and guard



FV 320

型号 Type

FV 脚踏阀 Foot valve

接口尺寸 Connection

320 二位三通 Two-position three-way

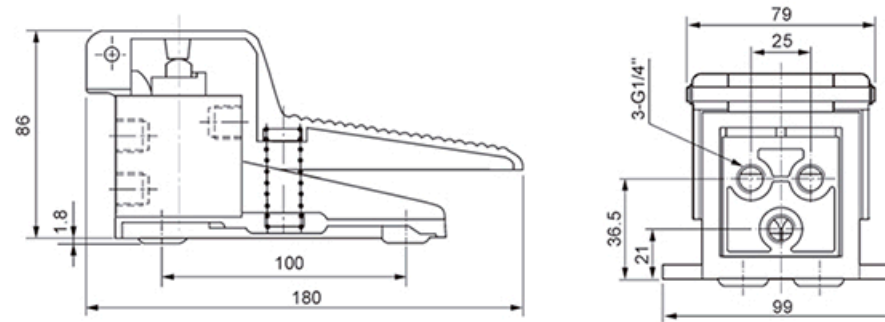
420 二位四通 Two-position four-way

主要技术参数 General technical data

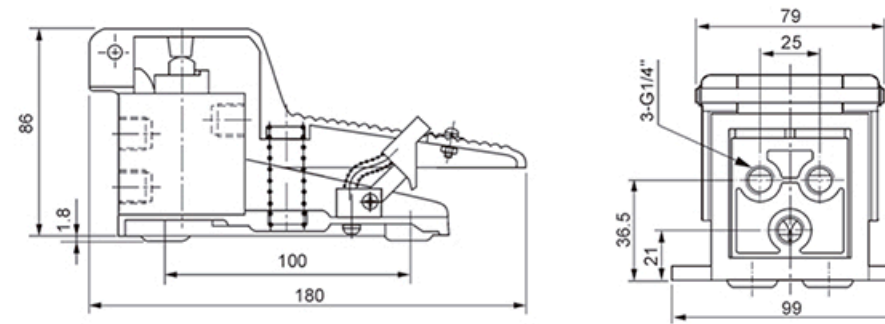
型号 Type	4F210-08	4F210-08-L	4F210-08G	4F210-08-LG	FV320	FV420
工作介质 Medium	压缩空气 Compressed air					
位通数 Position and way No.	二位五通 Two-position five-way				二位三通 Two-position three-way	二位四通 Two-position five-way
接管口径 Joint pipe bore	进气 = 出气 = 排气 = G1/4 Air inlet=Air outlet=Exhaust=G1/4				进气 = 出气 = G1/4 排气 = G1/8 Air inlet=Air outlet=G1/4 Exhaust=G1/8	
动作形式 Motion pattern	直动式 Direct acting					
使用压力范围 Working-pressure range	0.15-0.9 MPa					
工作温度 Operating temperature	0-60℃					

尺寸图 Dimensions

4F210-08

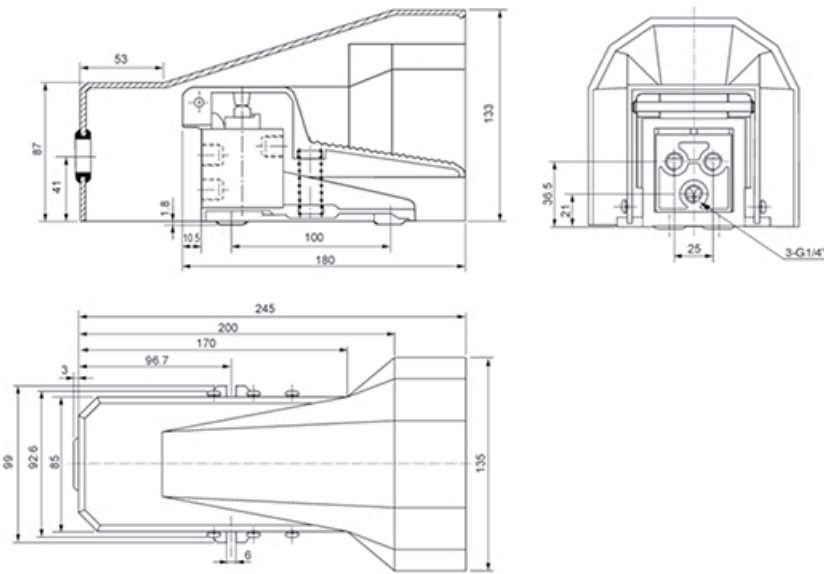


4F210-08-L

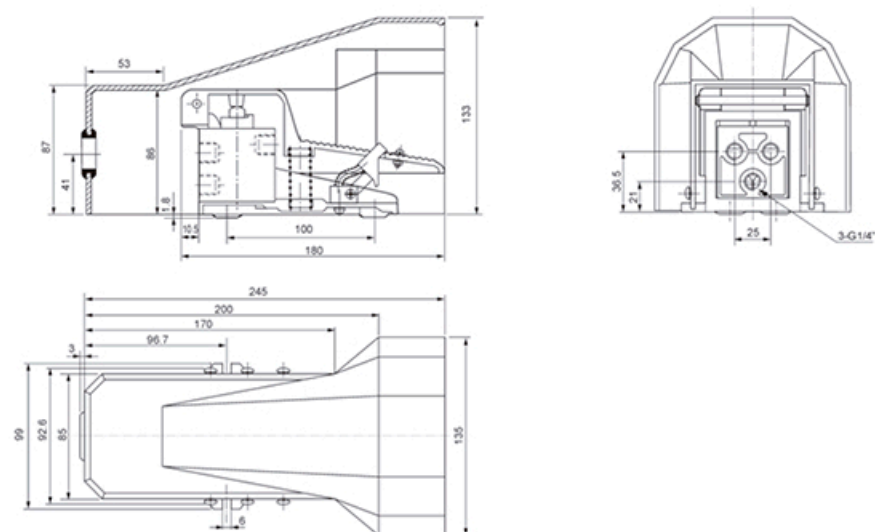


尺寸图 Dimensions

4F210-08-G

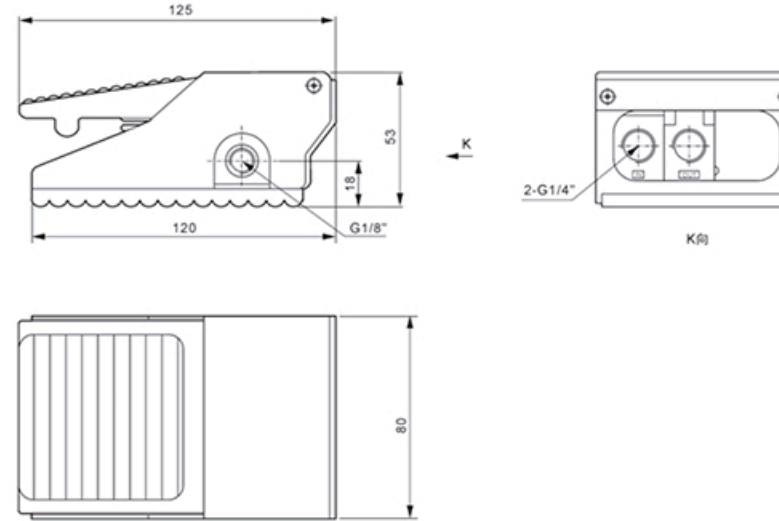


4F210-08-LG

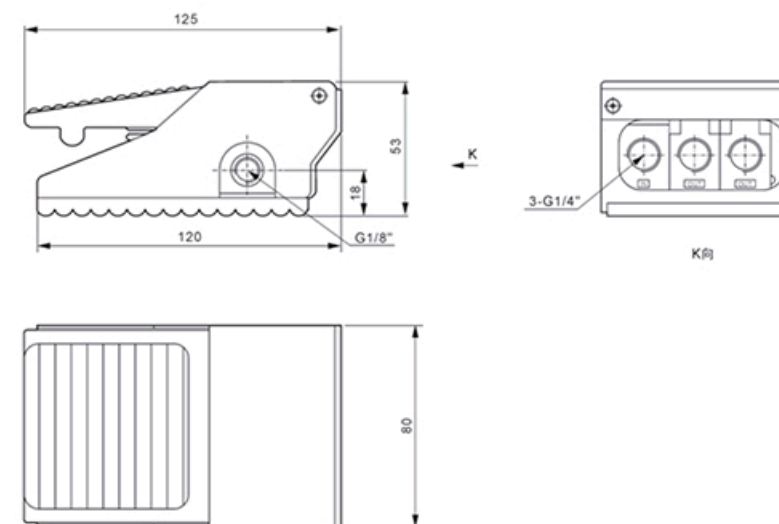


尺寸图 Dimensions

FV320



FV420



Especificaciones 4H

SERIE	4H210-08	4H210-08-L	4H210-08-C	4H310-10	4H310-10-L	4H310-10-C
FLUIDO	Aire Comprimido (filtrado a 40 micras)					
ACCIONAMIENTO	Accionada Mecanicamente					
TIPO DE VALVULA	5 vias 2 posiciones		5 vias 3 posiciones	5 vias 2 posiciones		5 vias 3 posiciones
PRESION DE OPERACION	0 a 114 psi (0.15 a .8 Mpa)					
CONEXION	In/Out 1/4" Exhaust 1/8"	In/Out 1/4" Exhaust 1/8"	In/Out 1/4" Exhaust 1/8"	In/Out 3/8 " Exhaust 1/4"	In/Out 3/8 " Exhaust 1/4"	In/Out 3/8 " Exhaust 1/4"
Minima presion de trabajo	21 psi (1.44 bar)					
Temperatura	-20 a 70 °C					
Tiempo de Activacion	.05 seg. (y por debajo)					
Maxima frecuencia	5 ciclos/seg					
Tipo de Valvula	Regresada por resorte	Enclavada	Centrada por resortes	Regresada por resorte	Enclavada	Centrada por resortes
Empaques	Buna					
Lubricacion	Se recomienda aceite ISO VG32					
MATERIAL	Aleacion de Aluminio					



4H 2 10 - 08 - L

型号 Type

4H 手扳阀 Hand-pull valve

系列代号 Code

2 200 series
3 300 series
4 400 series

位置数 Specification code

10 单头双位置 Single-head double-position
30 单头三位置 Single-head three-position

接管口径 Joint pipe bore

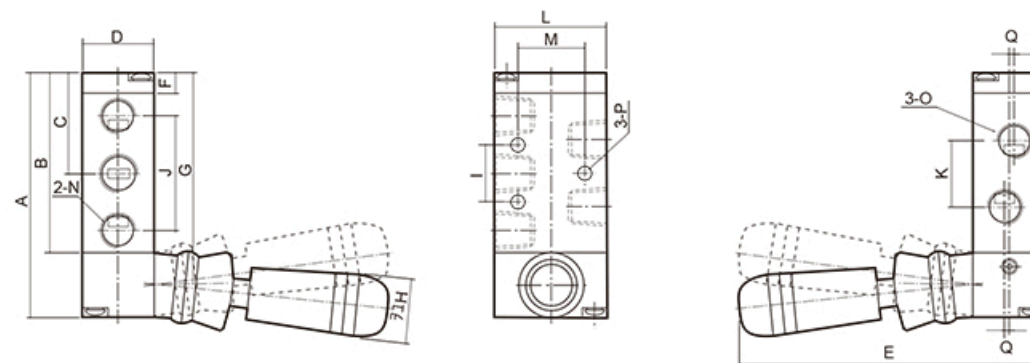
M5 M5
06 1/8
08 1/4
10 3/8
15 1/2

形式代号 Type code

三位五通复位型 Three-position five-way reset type
L 三位五通锁型 Three-position five-way locking type

主要技术参数 General technical data								
型号 Type	4H210-06	4H210-08	4H230-08	4H310-08	4H310-10	4H330-10	4H410-15	4H430-15
工作介质 Medium	经过滤的压缩空气, 润滑或未润滑 Filtered compressed air, lubricated or unlubricated							
动作方式 Motion pattern	直动式 Direct drive type							
有效截面积 Effective sectional area	14mm (CV=0.78)	16mm (CV=0.89)	25mm (CV=1.39)	30mm (CV=1.67)	50mm (CV=2.79)	50mm (CV=2.79)	50mm (CV=2.79)	50mm (CV=2.79)
接管口径 Joint pipe bore	进气=出气=排气=G1/8 Air inlet=Air outlet=Exhaust=G1/8	进气=出气=排气=G1/4 Air inlet=Air outlet=Exhaust=G1/4			进气=出气=G3/8 排气=G1/4 Air inlet=Air outlet=G3/8 Exhaust=G1/4		进气=出气=排气=G1/2 Air inlet=Air outlet=Exhaust=G1/2	
使用压力范围 Working-pressure range	0.15-0.9MPa							
工作温度 Operating temperature	-5~60°C							

尺寸图 Dimensions



型号 Model	4H210-06	4H230-06	4H210-06 自动复位 Automatic reset	4H210-08	4H230-08L	4H230-08 自动复位 Automatic reset	4H310-08	4H310-10	4H410-15
A	76		95		76	95	92	92	126
B	56.5		75.5		56.5	75.5	72.5	72.5	102
C	31.5		31.5		31.5	31.5	40	40	55.5
D	22		22		22	22	27	27	34
E	95		95		95	95	100	100	110
F	6.5		6.5		6.5	6.5	7.5	7.5	7.5
G	66.5		85.5		66.5	85.5	82.5	82.5	114
H	18		18		18	18	18	18	18
I	20		20		20	20	24	24	28
J	36		36		36	36	45	45	63
K	21		21		21	21	24	24	36
L	35		35		35	35	40	40	50
M	21		21		21	21	27	27	35
N	G1/8		G1/8		G1/8	G1/8	G1/4	G1/4	G1/2
O	G1/8		G1/8		G1/4	G1/4	G1/4	G3/8	G1/2
P	4.3		4.3		4.3	4.3	4.3	4.3	5.5
Q	-		-		1.5	1.5	-	2	-